

4

3

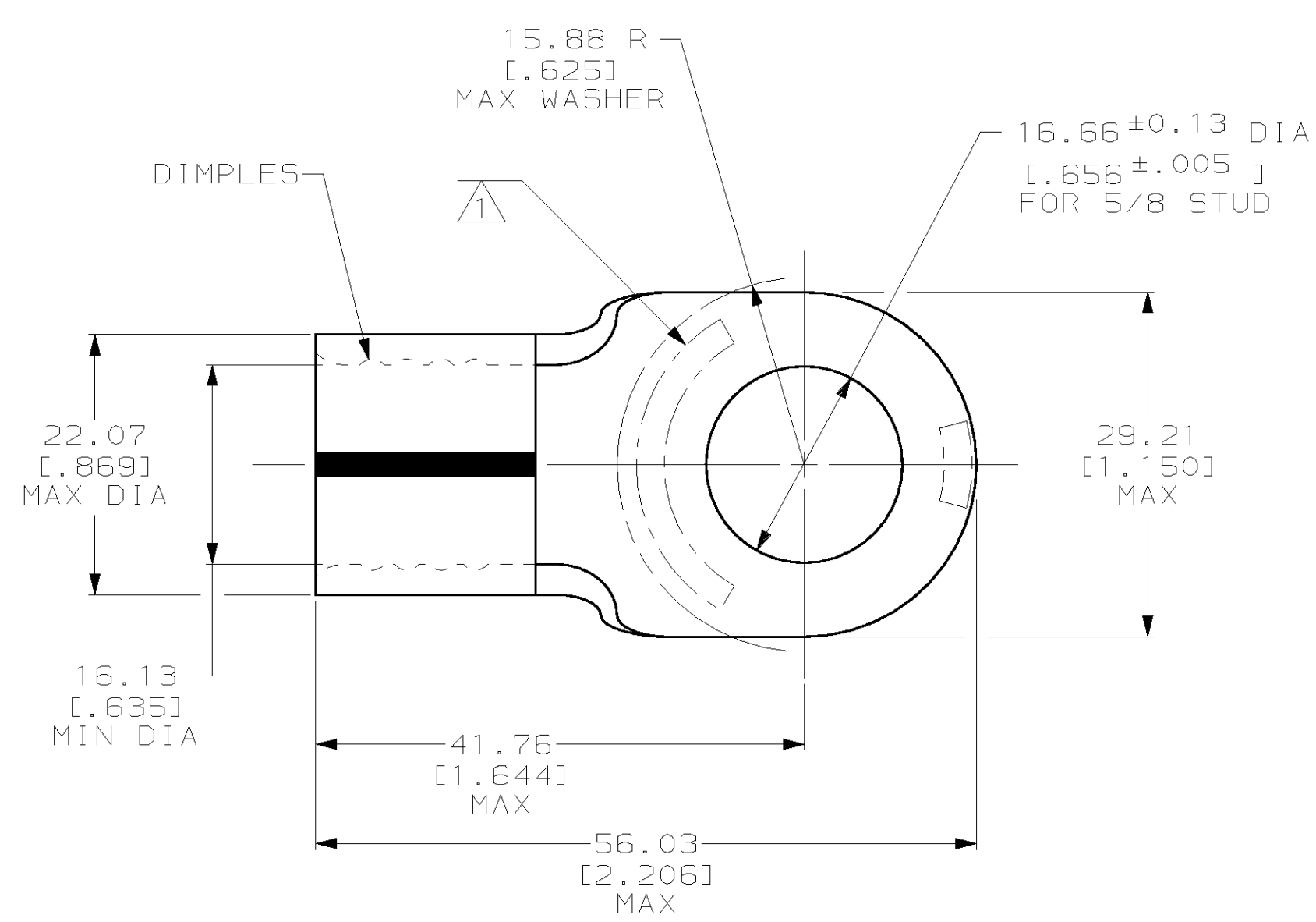
2

1

THIS DRAWING IS UNPUBLISHED. RELEASED FOR PUBLICATION, 19 .

© COPYRIGHT 19 BY AMP INCORPORATED. ALL RIGHTS RESERVED.

LOC	DIST	REVISIONS			
P	LTR	DESCRIPTION	DATE	DWN	APVD
G	14	G	REV / 0G10-0049-99	06APR99	MLE MS



AMP WIRE RANGE	UL E13288 Listed
4/0 AWG SOLID OR STRANDED	4/0 AWG SOLID OR STRANDED
SR LR7189 Certified	MILITARY P/N AND CLASS
4/0 AWG SOLID OR STRANDED	NOT APPLICABLE

- ① STAMP AMP 4/0W* 200 APPROX AS SHOWN
- ② MATERIAL THK: 2.59 ± 0.08 [.102 ± .003]
- ③ SEE RESTRICTED CUSTOMER DRAWING 36935-1

OBSOLETE ③ — 36935-1 —

36935

AMP PART NUMBER

AMP INCORPORATED CUSTOMER SERVICE SYSTEMS		<small>THIS DRAWING IS A CONTROLLED DOCUMENT FOR AMP INCORPORATED. IT IS SUBJECT TO CHANGE AND THE CONTROLLING ENGINEERING ORGANIZATION SHOULD BE CONTACTED FOR THE LATEST REVISION.</small>		DWN DK SCHRUM 15MAY96 CHK DM SWARTZ 01JUL96 APVD JL MECKLEY 01JUL96	AMP AMP Incorporated Harrisburg, PA 17105-3608
		DIMENSIONS: mm [INCHES]	TOLERANCES UNLESS OTHERWISE SPECIFIED: 0 PLC ±- 1 PLC ±- 2 PLC ±0.20 [.008] 3 PLC ±- 4 PLC ±- ANGLES ±-	PRODUCT SPEC APPLICATION SPEC WEIGHT -	NAME TERMINAL, RING TONGUE, SOLISTRAND™
FOR ADDITIONAL PRODUCT INFORMATION OR COPIES OF DRAWINGS AND TECHNICAL DOCUMENTS PRODUCT INFORMATION CENTER 1-800-522-6752	RECOMMENDED OPERATING TEMPERATURE: 170°C MAX VOLTAGE RATING: NOT APPLICABLE	MATERIAL COPPER PER ASTM B-152 ANNEALED	FINISH TIN PLATE 0.00254 [.000100] MIN THK PER ASTM B 545	SIZE A3 CAGE CODE 00779 DRAWING NO C-36935	SCALE 2:1 SHEET 1 OF 1 REV G
FOR APPLICATION TOOLING INFORMATION TOOLING ASSISTANCE CENTER 1-800-722-1111	WIRE CROSS SECTIONAL AREA RANGE: 96.3-117.0mm ² [190,000-231,100] CIR MILS STRANDED	CUSTOMER DRAWING		AMP Incorporated Harrisburg, PA 17105-3608	
FOR ORDER ENTRY 1-800-526-5142					

AMP 1470-19 REV 09MAY94